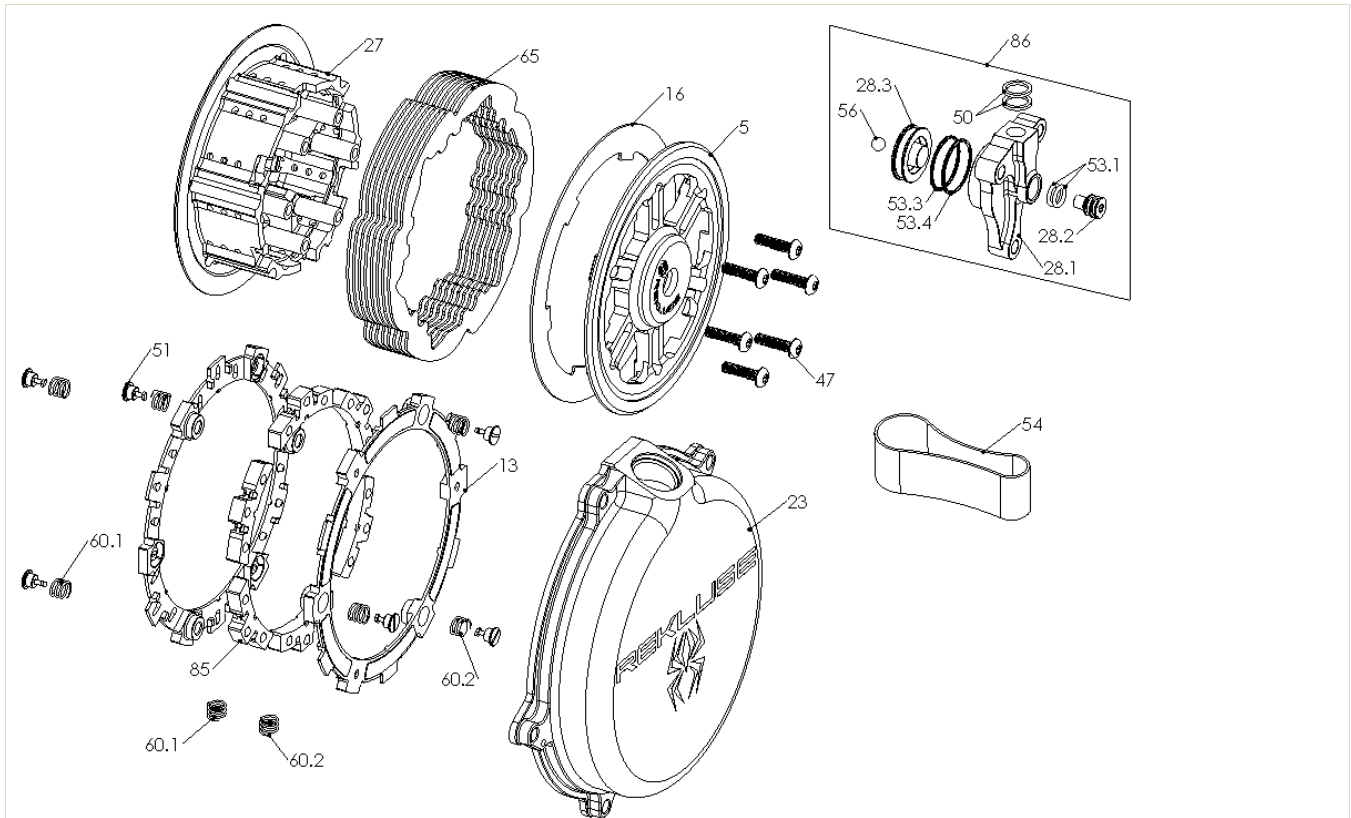


KTM 450 SX-F (13), 450 SX-F Factory Edition (12-13), 450/500 EXC/XC-W (12-13), Husaberg FE 450/501 (13)



Item	Part Number	Item Description	Qty	Assembled as EXP Friction Disk
	191-7701	CUSTOMER DOCUMENT - Rekluse Core EXP Clutch Installation Guide - Hydraulic KTM 12+	1	<input type="checkbox"/>
	192-290	CUSTOMER DOCUMENT - Safety Warnings	1	<input type="checkbox"/>
	193-702A	CUSTOMER DOCUMENT - Read Me First: KTM 12+ Core Products	1	<input type="checkbox"/>
Not Shown	411-906	HARDWARE - T-25 Torx Bit	1	<input type="checkbox"/>
5	113-008	PRESSURE PLATE - Core EXP 2.0 - PRESSURE PLATE - Core EXP - KTM 12+	1	<input type="checkbox"/>
13	140-205A	EXP 2.0 BASE - KTM350	2	<input checked="" type="checkbox"/>
16	143-010	EXP 2.0 LINING PLATE - Lining Plate	1	<input type="checkbox"/>
23	169-934A	CLUTCH COVER - KTM 450/500	1	<input type="checkbox"/>
27	178-034	CENTER CLUTCH - CORE EXP/CORE MANUAL - CENTER CLUTCH - CORE EXP/CORE MANUAL - KTM 350/450/500	1	<input type="checkbox"/>
47	411-154	FASTENER - M5 x 20 Button Head T-25 Torx Screw	6	<input type="checkbox"/>
51	415-000	FASTENER - Quarter Turn Pin	2	<input type="checkbox"/>
51	415-000	FASTENER - Quarter Turn Pin	6	<input checked="" type="checkbox"/>

54	419-120	HARDWARE - 1" Orange Free Play Gain Rubber Band	1	<input type="checkbox"/>
60.1	442-004	EXP ADJUSTMENT SPRING EXP - Super Heavy (Gold)	3	<input type="checkbox"/>
60.1	442-004	EXP ADJUSTMENT SPRING EXP - Super Heavy (Gold)	3	<input checked="" type="checkbox"/>
60.2	442-003	EXP ADJUSTMENT SPRING EXP - Heavy (Blue)	3	<input type="checkbox"/>
60.2	442-003	EXP ADJUSTMENT SPRING EXP - Heavy (Blue)	3	<input checked="" type="checkbox"/>
65	462-610A	DRIVE PLATE - 0.048" Wave Plate - KTM 12+ 6-pin	8	<input type="checkbox"/>
85	741-006B	EXP 2.0 WEDGE ASSEMBLY - KTM350 - Medium	6	<input checked="" type="checkbox"/>
86	742-002	ADJUSTABLE SLAVE ASSEMBLY - KTM 250-300 2 Stroke (13+), 450/500 (12+), 250F (06-12)Adjustable Slave Cylinder Assembly	1	<input type="checkbox"/>
28.1	180-100	SLAVE CYLINDER HOUSING - Adjustable Slave Cylinder Housing-KTM 250-300 2 Stroke	1	
28.2	180-107	SLAVE CYLINDER ADJUSTER - Adjustable Slave Cylinder Adjuster-KTM	1	
28.3	180-108	SLAVE CYLINDER PISTON - Adjustable Slave Cylinder Piston-KTM 13+ 250	1	
50	414-230	HARDWARE - Crush Washers: 10mm	2	
53.1	418-907	HARDWARE - 011 EPDM O Ring	2	
53.3	418-805	HARDWARE - 021 Brown Viton X Ring	1	
53.4	418-804	HARDWARE - 021 EPDM X Ring Black	1	
56	431-304	BALL BEARING - 1/4" Balls - Throwout	1	
Not Shown	419-104	HARDWARE - Slave Cylinder Bleed Hose-.25" OD-15" Length	1	