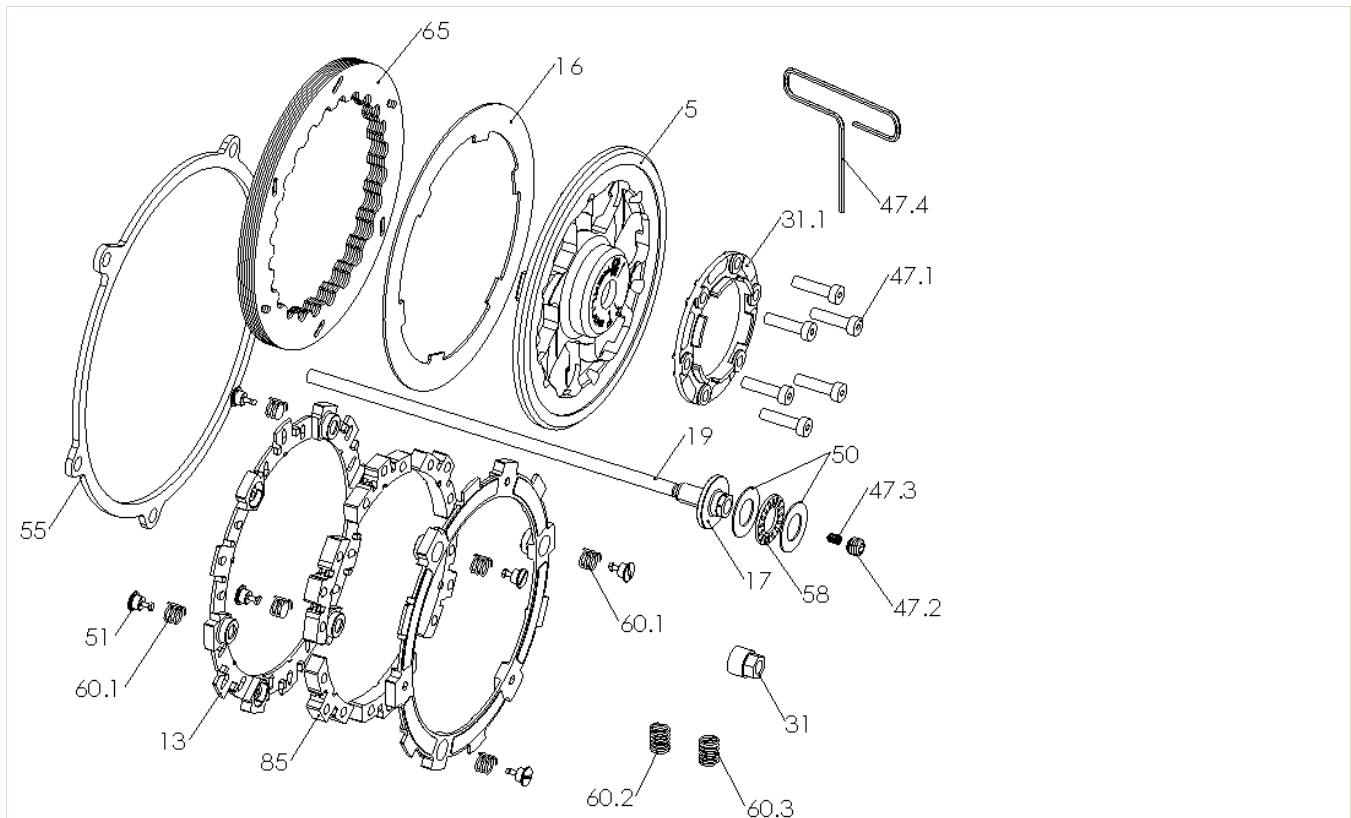


RMS-6134

EXP CLUTCH 2.0

KTM - 450 EXC (12), 450 XC-W (12), 500 EXC (12), 500 XC-W (12)



Item	Part Number	Item Description	Qty	Assembled as EXP Friction Disk
	191-6134	CUSTOMER DOCUMENT - Rekluse EXP Clutch Manual - Hydraulic KTM 12+	1	
	192-290	CUSTOMER DOCUMENT - Safety Warnings	1	
	198-6134	CUSTOMER DOCUMENT - Rekluse EXP Setup Sheet RMS-6134	1	
Not Shown	411-906	HARDWARE - T-25 Torx Bit	1	
5	113-006	PRESSURE PLATE - EXP 2.0 - KTM Belleville Spring Clutch	1	
13	140-205A	EXP 2.0 BASE - KTM350	2	X
16	143-010	EXP 2.0 LINING PLATE - Lining Plate	1	
17	151-067A	THROW-OUT - Hydraulic Adjustable Throwout	1	
19	153-034	THROW-OUT ROD - Throwout Rod	1	
31	184-007	TOOL - Tool for Hydraulic Adjustable Throwout	1	
31.1	184-009	PRESSURE RING SPACER - Pressure Ring Spacer for KTM 12+ Belleville EXP	1	
47.1	411-154	FASTENER - M5 x 20 Button Head T-25 Torx Screw	6	
47.2	411-139	FASTENER - M8x1.25 x 6mm Flat Point Set Screw	1	

47.3	411-147	FASTENER - M4x0.07 x 8mm Flat Point Set Screw	1	
47.4	411-905	HARDWARE - 2MM Standard Grip 1.75" Hex Key	1	
50	414-130	HARDWARE - 1/2 " Flat Throwout Washer	2	
51	415-000	FASTENER - Quarter Turn Pin	2	
51	415-000	FASTENER - Quarter Turn Pin	6	X
54	419-120	HARDWARE - 1" Orange Free Play Gain Rubber Band	1	
55	420-034	GASKET - Gasket - .125"	1	
58	433-302	THRUST BEARING - 1/2" Throwout Needle Thrust Bearing	1	
60.1	442-003	EXP ADJUSTMENT SPRING EXP - Heavy (Blue)	3	
60.1	442-003	EXP ADJUSTMENT SPRING EXP - Heavy (Blue)	3	X
60.2	442-004	EXP ADJUSTMENT SPRING EXP - Super Heavy (Gold)	3	
60.2	442-004	EXP ADJUSTMENT SPRING EXP - Super Heavy (Gold)	3	X
65	462-605	DRIVE PLATE - 0.048" Slotted KTM 12+ 350,450,500	7	
85	741-005B	EXP 2.0 WEDGE ASSEMBLY - KTM350 - Heavy	6	X
91	491-001	ADHESIVE - Loctite 243 (.02 fl oz)	1	