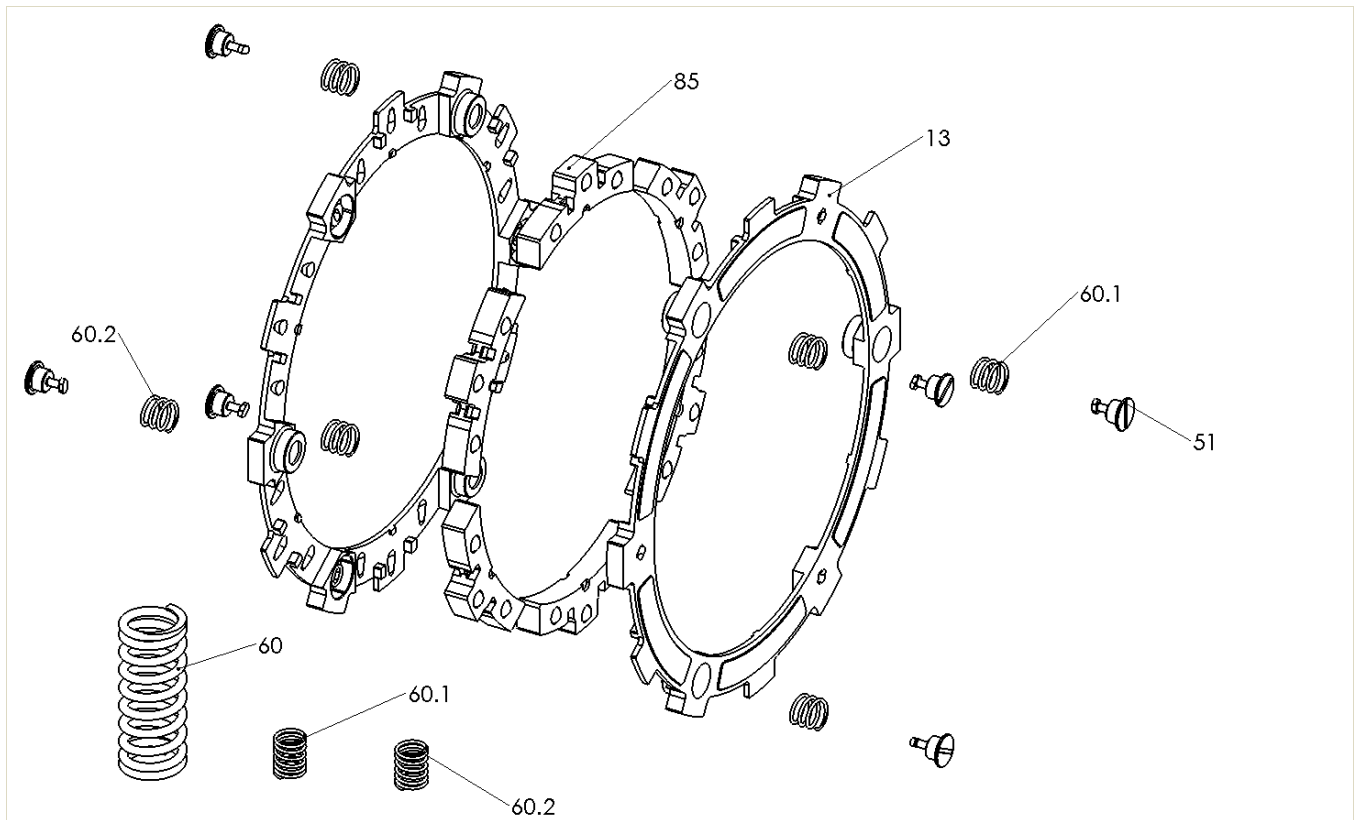


Yamaha - YZ450F (10-12)



Item	Part Number	Item Description	Qty	Assembled as EXP Friction Disk
	191-6000	Rekluse EXP Clutch Manual - Cable	1	
	192-290	Safety Warnings	1	
	198-6076	Rekluse EXP Setup Sheet RMS-6076	1	
13	140-201A	Y450 EXP 2.0 BASE	2	X
51	415-000	Quarter Turn Pin	2	
51	415-000	Quarter Turn Pin	6	X
60	442-110	Pressure Plate Spring - Purple	6	
60.1	442-003	Heavy EXP Adj. Spring - Blue	3	
60.1	442-003	Heavy EXP Adj. Spring - Blue	3	X
60.2	442-004	Super Heavy EXP Adj. Spring - Gold	3	
60.2	442-004	Super Heavy EXP Adj. Spring - Gold	3	X
85	741-007	H450 EXP 2.0 Light Wedge Assembly	6	X