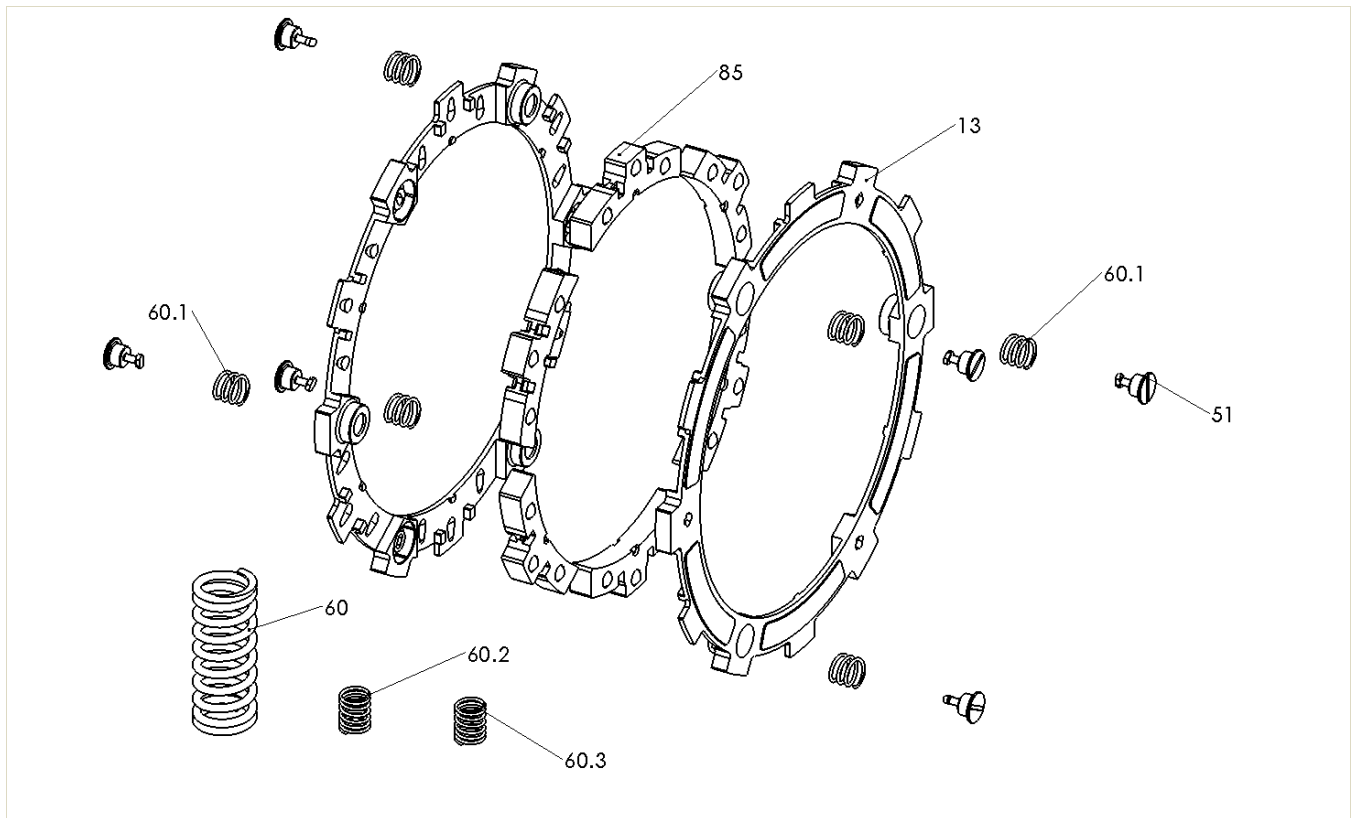


Kawasaki - KLX450F (08-09), KX450F (06-11)



Item	Part Number	Item Description	Qty	Assembled as EXP Friction Disk
	191-6000	Rekluse EXP Clutch Manual - Cable	1	
	192-290	Safety Warnings	1	
	198-6045	Rekluse EXP Setup Sheet RMS-6045	1	
13	140-200A	H450 EXP 2.0 BASE	2	X
51	415-000	Quarter Turn Pin	2	
51	415-000	Quarter Turn Pin	6	X
60	442-107A	Pressure Plate Spring - Orange	5	
60.1	442-002	Medium EXP Adj. Spring - Red	6	X
60.2	442-001	Light EXP Adj. Spring - Silver	3	
60.3	442-003	Heavy EXP Adj. Spring - Blue	3	
85	741-002B	H450 EXP 2.0 Medium Wedge Assembly	6	X