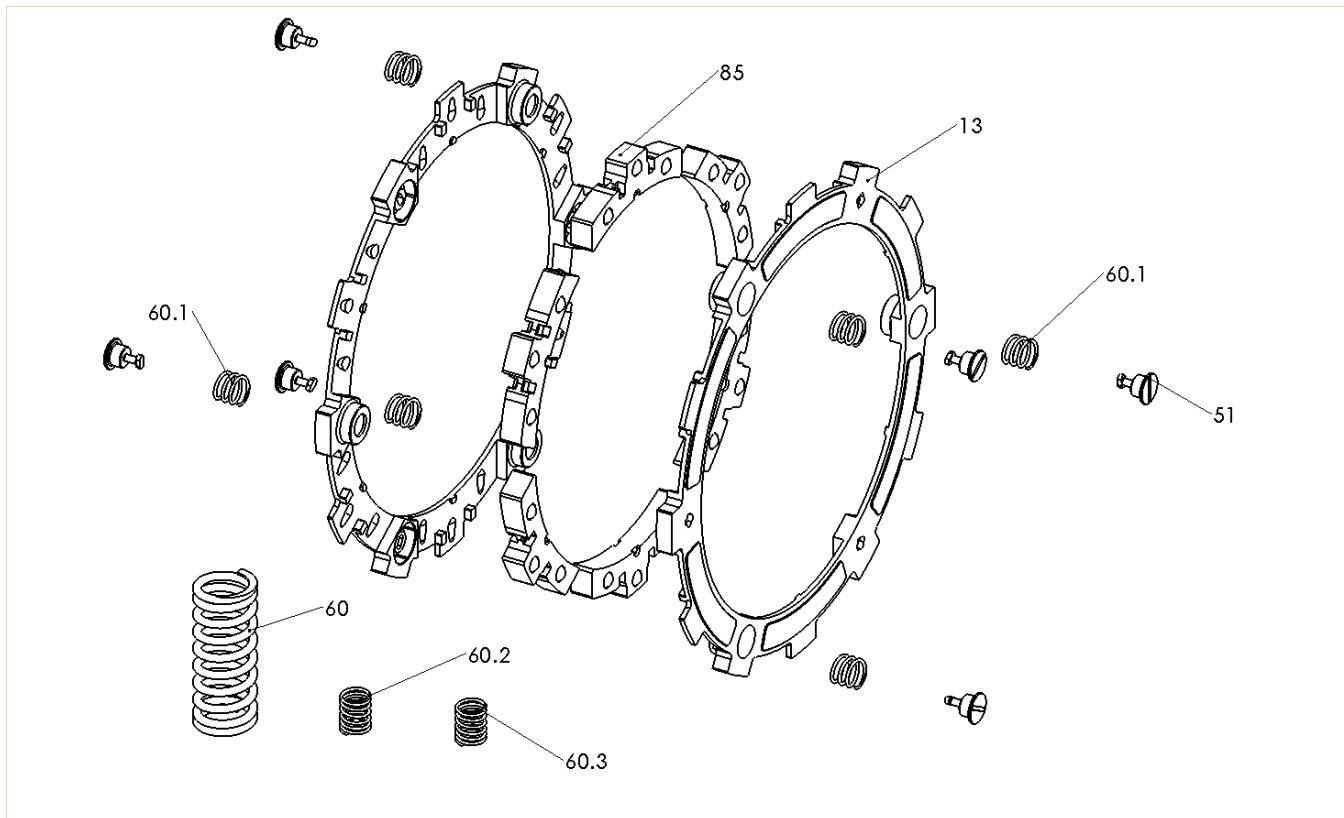


Kawasaki - KX250F (04-12)



Item	Part Number	Item Description	Qty	Assembled as EXP Friction Disk
	191-6000	Rekluse EXP Clutch Manual - Cable	1	
	192-290	Safety Warnings	1	
	198-6040	Rekluse EXP Setup Sheet RMS-6040	1	
13	140-204A	K250 EXP 2.0 BASE	2	X
51	415-000	Quarter Turn Pin	2	
51	415-000	Quarter Turn Pin	6	X
60	442-102	Heavy 450 Core Clutch Spring - Blue	5	
60.1	442-002	Medium EXP Adj. Spring - Red	6	X
60.2	442-001	Light EXP Adj. Spring - Silver	3	
60.3	442-003	Heavy EXP Adj. Spring - Blue	3	
85	741-004	H250 EXP 2.0 Medium Wedge Assembly	6	X