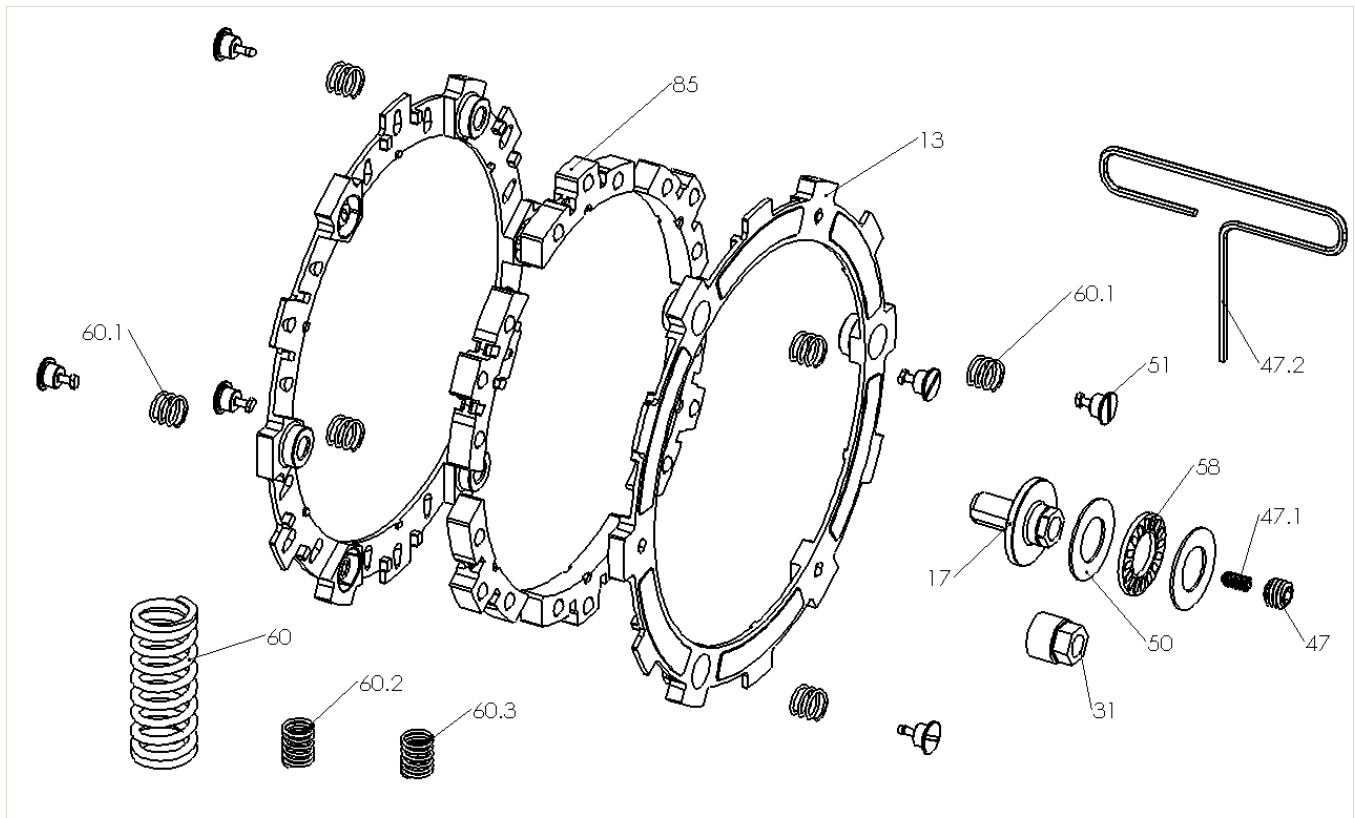


KTM - 250 SX-F (06-12), 250 XC-F (07-12), 250 XCF-W (06-12)



Item	Part Number	Item Description	Qty	Assembled as EXP Friction Disk
	191-6036	Rekluse EXP Clutch Manual - Hydraulic	1	
	192-290	Safety Warnings	1	
	198-6038	Rekluse EXP Setup Sheet RMS-6038	1	
13	140-203A	H250 EXP 2.0 BASE	2	X
17	151-067A	Hydraulic Adjustable Throwout	1	
31	184-007	Tool for Hydraulic Adjustable Throwout	1	
47	411-139	M8x1.25 x 6mm Flat Point Set Screw	1	
47.1	411-147	M4x0.07 x 8mm Flat Point Set Screw	1	
47.2	411-905	2MM Standard Grip 1.75" Hex Key	1	
50	414-130	1/2 " Flat Throwout Washer	2	
51	415-000	Quarter Turn Pin	2	
51	415-000	Quarter Turn Pin	6	X
58	433-302	1/2" Throwout Needle Thrust Bearing	1	
60	442-104	Heavy 250 Core Clutch Spring - Gold	5	
60.1	442-002	Medium EXP Adj. Spring - Red	6	X

60.2	442-001	Light EXP Adj. Spring - Silver	3	
60.3	442-003	Heavy EXP Adj. Spring - Blue	3	
85	741-004	H250 EXP 2.0 Medium Wedge Assembly	6	X