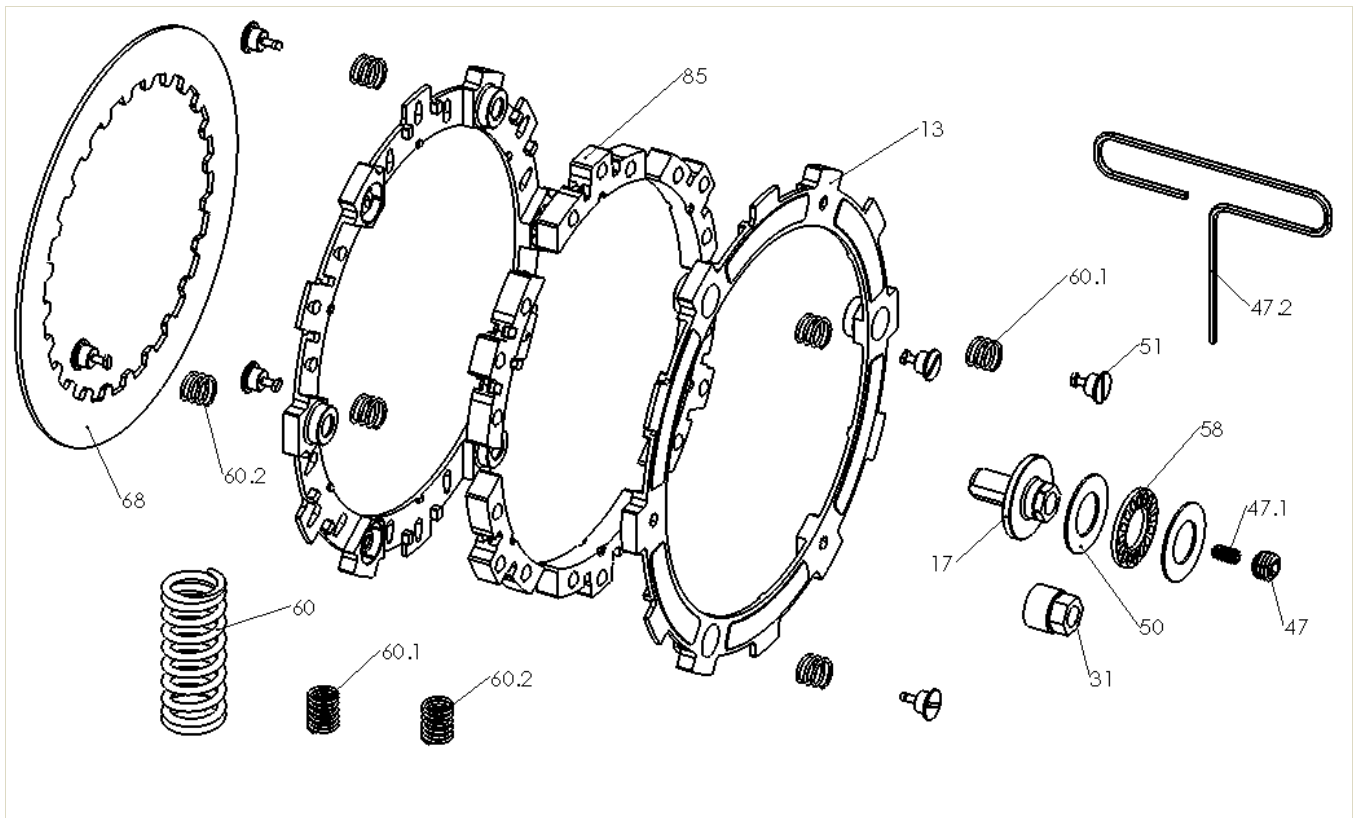


KTM - 125 EXC (98-07), 125 SX (98-09, 11-12), 144 SX (07-08), 150 SX (09-12), 150 XC (10-12), 200 EXC (98-05), 200 MXC (98-03), 200 XC/200 XC-W (06-12)



Item	Part Number	Item Description	Qty	Assembled as EXP Friction Disk
	191-6036	Rekluse EXP Clutch Manual - Hydraulic	1	
	192-290	Safety Warnings	1	
	198-6037	Rekluse EXP Setup Sheet RMS-6037	1	
13	140-203A	H250 EXP 2.0 BASE	2	X
17	151-067A	Hydraulic Adjustable Throwout	1	
31	184-007	Tool for Hydraulic Adjustable Throwout	1	
47	411-139	M8x1.25 x 6mm Flat Point Set Screw	1	
47.1	411-147	M4x0.07 x 8mm Flat Point Set Screw	1	
47.2	411-905	2MM Standard Grip 1.75" Hex Key	1	
50	414-130	1/2 " Flat Throwout Washer	2	
51	415-000	Quarter Turn Pin	2	
51	415-000	Quarter Turn Pin	6	X
58	433-302	1/2" Throwout Needle Thrust Bearing	1	
60	442-112	Pressure Plate Spring - Green	5	
60.1	442-001	Light EXP Adj. Spring - Silver	3	

60.1	442-001	Light EXP Adj. Spring - Silver	3	X
60.2	442-002	Medium EXP Adj. Spring - Red	3	
60.2	442-002	Medium EXP Adj. Spring - Red	3	X
68	466-001	0.060" KTM 125/150/200 Precision Drive Plate	2	
85	741-003	H250 EXP 2.0 Heavy Wedge Assembly	6	X