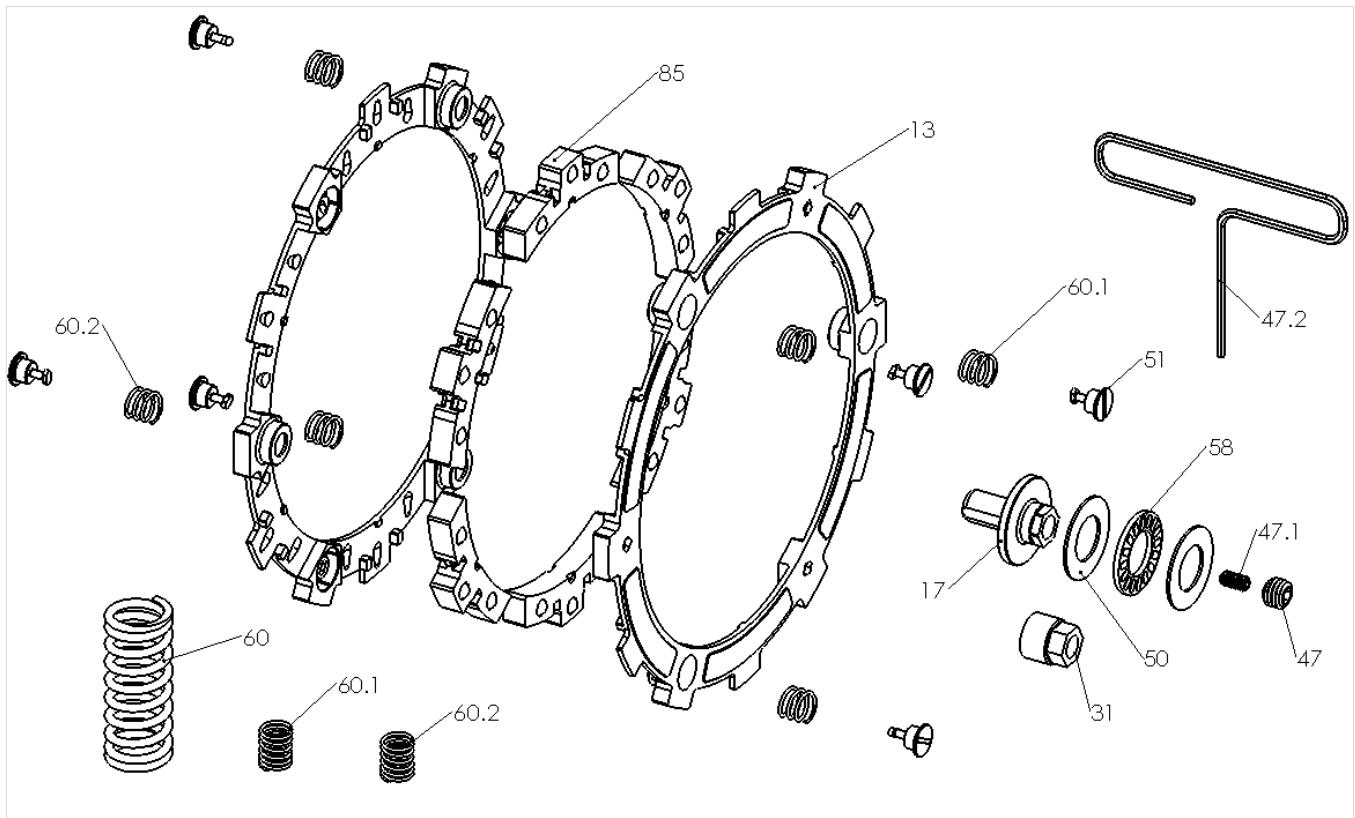


RMS-6032

EXP CLUTCH 2.0

Husaberg - FE 390/FE 450/FE 570/FS 570/FX 450 (09-11); KTM - 400 XC-W (09-10), 450 EXC (08-11), 450 XCR-W (08), 450 XC-W (09-11), 530 EXC (08-11), 530 XCR-W (08), 530 XC-W (09-11)



Item	Part Number	Item Description	Qty	Assembled as EXP Friction Disk
	191-6036	Rekluse EXP Clutch Manual - Hydraulic	1	
	192-290	Safety Warnings	1	
	198-6032	Rekluse EXP Setup Sheet RMS-6032	1	
not shown	442-004	Super Heavy EXP Adj. Spring - Gold	3	
13	140-200A	H450 EXP 2.0 BASE	2	X
17	151-067A	Hydraulic Adjustable Throwout	1	
31	184-007	Tool for Hydraulic Adjustable Throwout	1	
47	411-139	M8x1.25 x 6mm Flat Point Set Screw	1	
47.1	411-149	M4x0.07 x 14mm Flat Point Set Screw	1	
47.2	411-905	2MM Standard Grip 1.75" Hex Key	1	
50	414-130	1/2 " Flat Throwout Washer	2	
51	415-000	Quarter Turn Pin	2	
51	415-000	Quarter Turn Pin	6	X
55	420-832	KTM 450/530 EXC/XCW .125 Gasket	1	
58	433-302	1/2" Throwout Needle Thrust Bearing	1	

60	442-107A	Pressure Plate Spring - Orange	4	
60.1	442-002	Medium EXP Adj. Spring - Red	3	
60.1	442-002	Medium EXP Adj. Spring - Red	3	X
60.2	442-003	Heavy EXP Adj. Spring - Blue	3	
60.2	442-003	Heavy EXP Adj. Spring - Blue	3	X
85	741-002B	H450 EXP 2.0 Medium Wedge Assembly	6	X
91	491-001	Loctite 243 .02 fl oz	1	