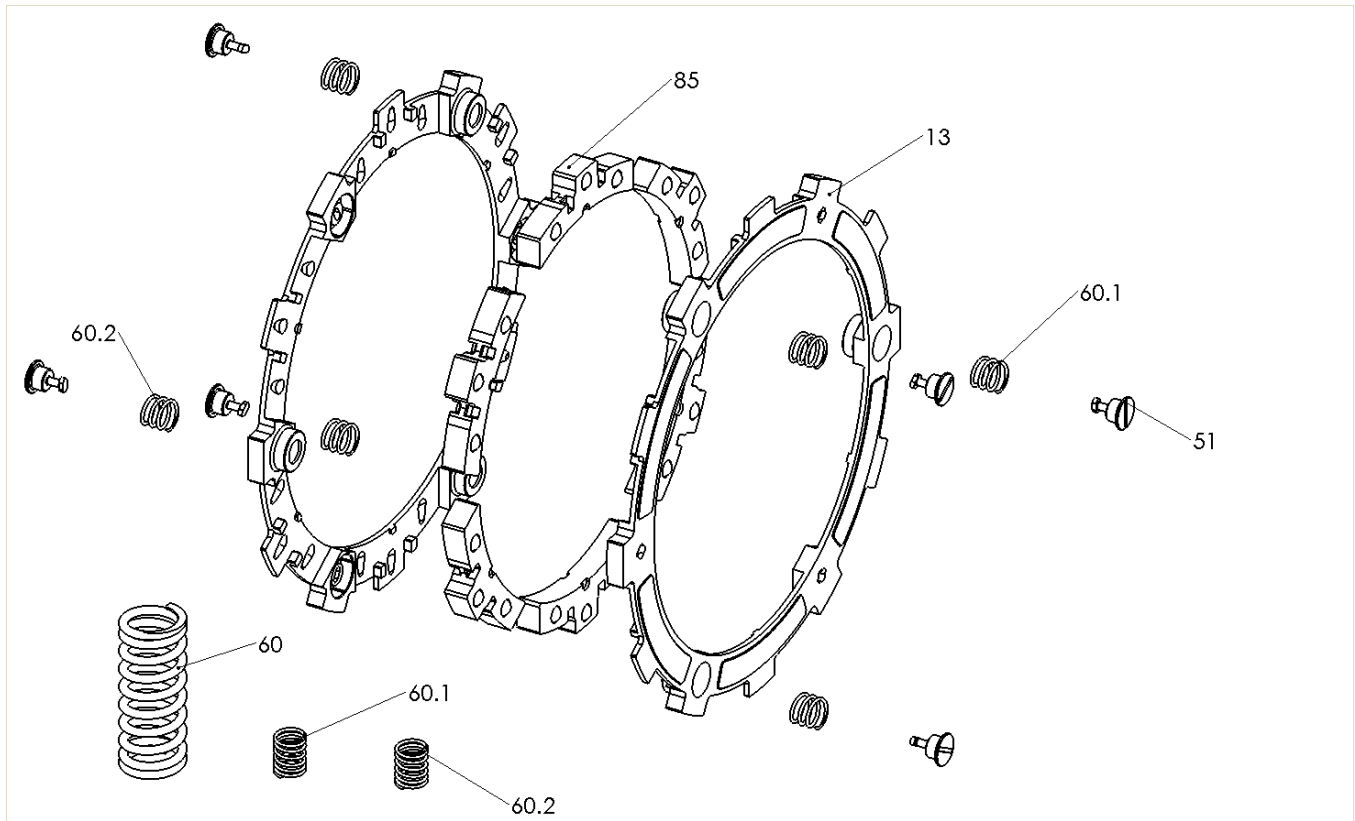


Honda - CRF250R (10-12)



Item	Part Number	Item Description	Qty	Assembled as EXP Friction Disk
	191-6000	Rekluse EXP Clutch Manual - Cable	1	
	192-290	Safety Warnings	1	
	198-6016	Rekluse EXP Setup Sheet RMS-6016	1	
13	140-203A	H250 EXP 2.0 BASE	2	X
51	415-000	Quarter Turn Pin	2	
51	415-000	Quarter Turn Pin	6	X
60	442-111	Pressure Plate Spring - Metallic	5	
60.1	442-001	Light EXP Adj. Spring - Silver	3	
60.1	442-001	Light EXP Adj. Spring - Silver	3	X
60.2	442-002	Medium EXP Adj. Spring - Red	3	
60.2	442-002	Medium EXP Adj. Spring - Red	3	X
85	741-004	H250 EXP 2.0 Medium Wedge Assembly	6	X