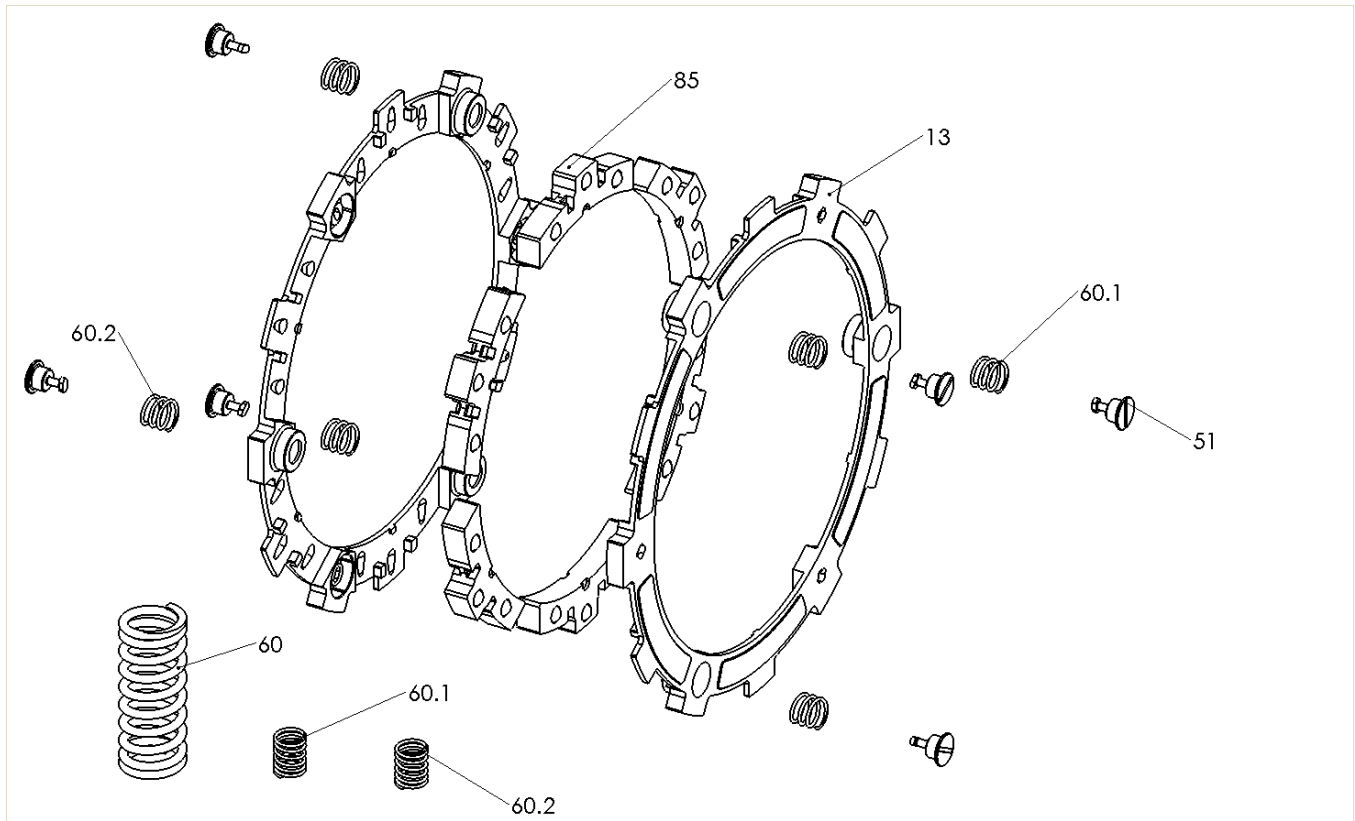


RMS-6013

EXP CLUTCH 2.0

Honda - CR250R (96-07), CRF450R (02-08), CRF450X (05-12)



| Item | Part Number | Item Description | Qty | Assembled as EXP Friction Disk |
|------|-------------|-------------------------------------|-----|--------------------------------|
| | 191-6000 | Rekluse EXP Clutch Manual - Cable | 1 | |
| | 192-290 | Safety Warnings | 1 | |
| | 198-6013 | Rekluse EXP Setup Sheet RMS-6013 | 1 | |
| 13 | 140-200A | H450 EXP 2.0 BASE | 2 | X |
| 51 | 415-000 | Quarter Turn Pin | 2 | |
| 51 | 415-000 | Quarter Turn Pin | 6 | X |
| 60 | 442-102 | Heavy 450 Core Clutch Spring - Blue | 6 | |
| 60.1 | 442-002 | Medium EXP Adj. Spring - Red | 3 | |
| 60.1 | 442-002 | Medium EXP Adj. Spring - Red | 3 | X |
| 60.2 | 442-003 | Heavy EXP Adj. Spring - Blue | 3 | |
| 60.2 | 442-003 | Heavy EXP Adj. Spring - Blue | 3 | X |
| 85 | 741-002B | H450 EXP 2.0 Medium Wedge Assembly | 6 | X |